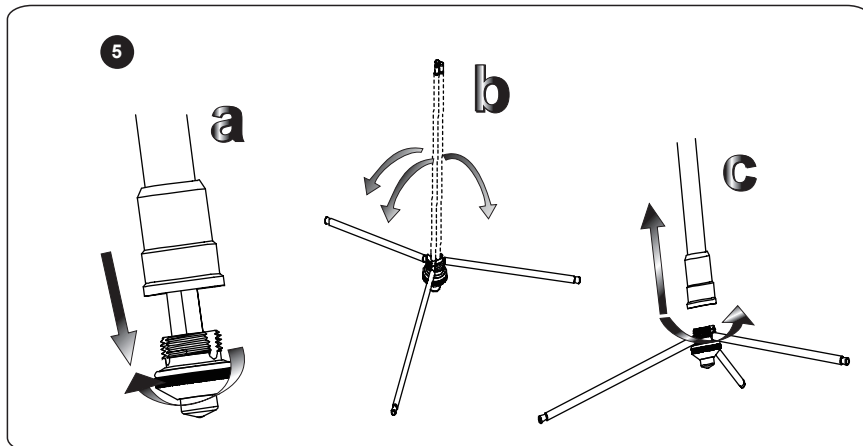
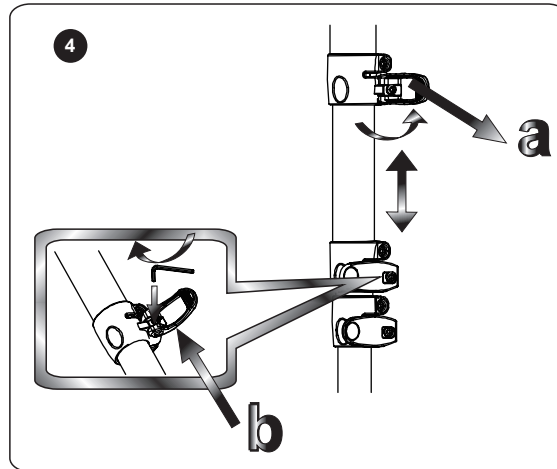
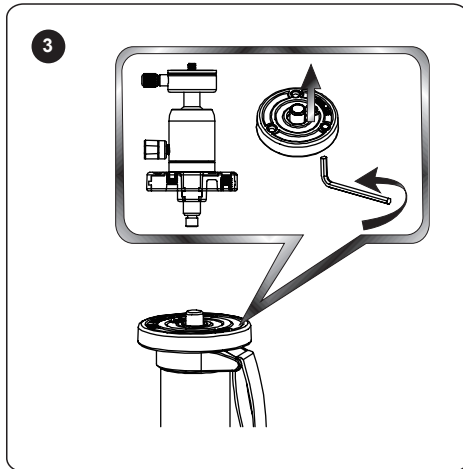
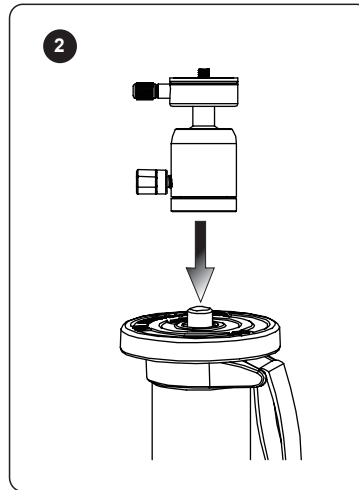
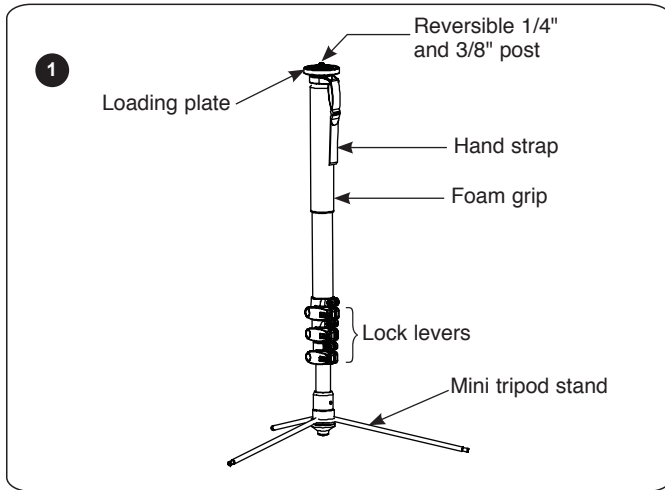


Orion® Tritech II-M Pro Self-Standing Monopod #5391



1. Key features (Shown with retractable mini tripod stand deployed.)
2. The reversible 1/4" and 3/8" threaded post allows attachment of ball head (shown) or pan head (both sold separately) with a compatible threaded socket.

To remove the reversible threaded post, use the supplied Allen key to loosen the Allen screw next to the threaded post one turn or so. Now unscrew the loading plate. Remove the threaded post and turn it upside down in the loading plate, then thread the loading plate back on until tight. Finally re-tighten the Allen screw to secure the loading plate.

3. Once a ball head or pan head has been threaded onto the loading plate, use the supplied Allen key to tighten (from under the loading plate) the three screws on the loading plate to secure the ball head or pan head.

4. Adjust the leg section length by flipping open the leg lock lever and sliding the leg to the desired length, then re-clamp the lock lever.

To adjust the locking force of the lever, flip open the lock lever, then use the supplied Allen key to loosen or tighten the lever screw to the desired tension.

5. To deploy the mini tripod stand, **a)** Rotate the knurled foot counterclockwise and remove the stand completely. **b)** Lower the mini tripod legs. **c)** Thread the foot clockwise into the lower tube section until tight.

SPECIFICATIONS

Max. load:	33 lbs. (15kg)
Material:	High-strength aluminum
Sections:	4
Length extended:	64.3" (163.3cm) (65.6"/166.6cm when mini tripod deployed)
Length collapsed:	23.5" (59.7cm)
Mini Tripod footprint (diameter):	19.8" (50.1cm)
Mounting post:	Reversible 3/8" and 1/4"
Weight:	2.4 lbs. (1.11kg)



One-Year Limited Warranty

This Orion product is warranted against defects in materials or workmanship for a period of one year from the date of purchase. This warranty is for the benefit of the original retail purchaser only. During this warranty period Orion Telescopes & Binoculars will repair or replace, at Orion's option, any warranted instrument that proves to be defective, provided it is returned postage paid. Proof of purchase (such as a copy of the original receipt) is required. This warranty is only valid in the country of purchase.

This warranty does not apply if, in Orion's judgment, the instrument has been abused, mishandled, or modified, nor does it apply to normal wear and tear. This warranty gives you specific legal rights. It is not intended to remove or restrict your other legal rights under applicable local consumer law; your state or national statutory consumer rights governing the sale of consumer goods remain fully applicable.

For further warranty information, please visit www.OrionTelescopes.com/warranty.

Orion Telescopes & Binoculars

Corporate Offices: 89 Hangar Way, Watsonville CA 95076 - USA

Customer Support: www.OrionTelescopes.com/contactus

Copyright © 2016 Orion Telescopes & Binoculars

All Rights Reserved. No part of this product instruction or any of its contents may be reproduced, copied, modified or adapted, without the prior written consent of Orion Telescopes & Binoculars.