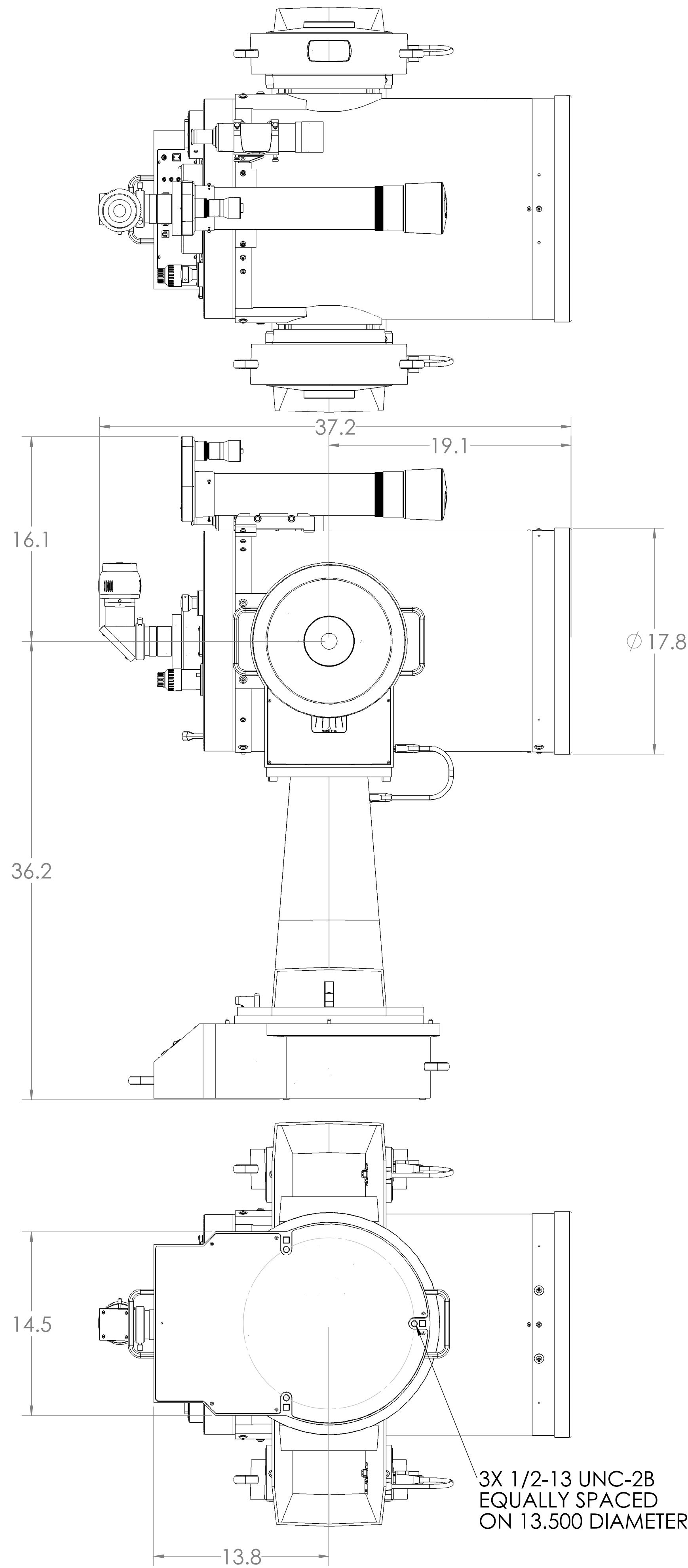
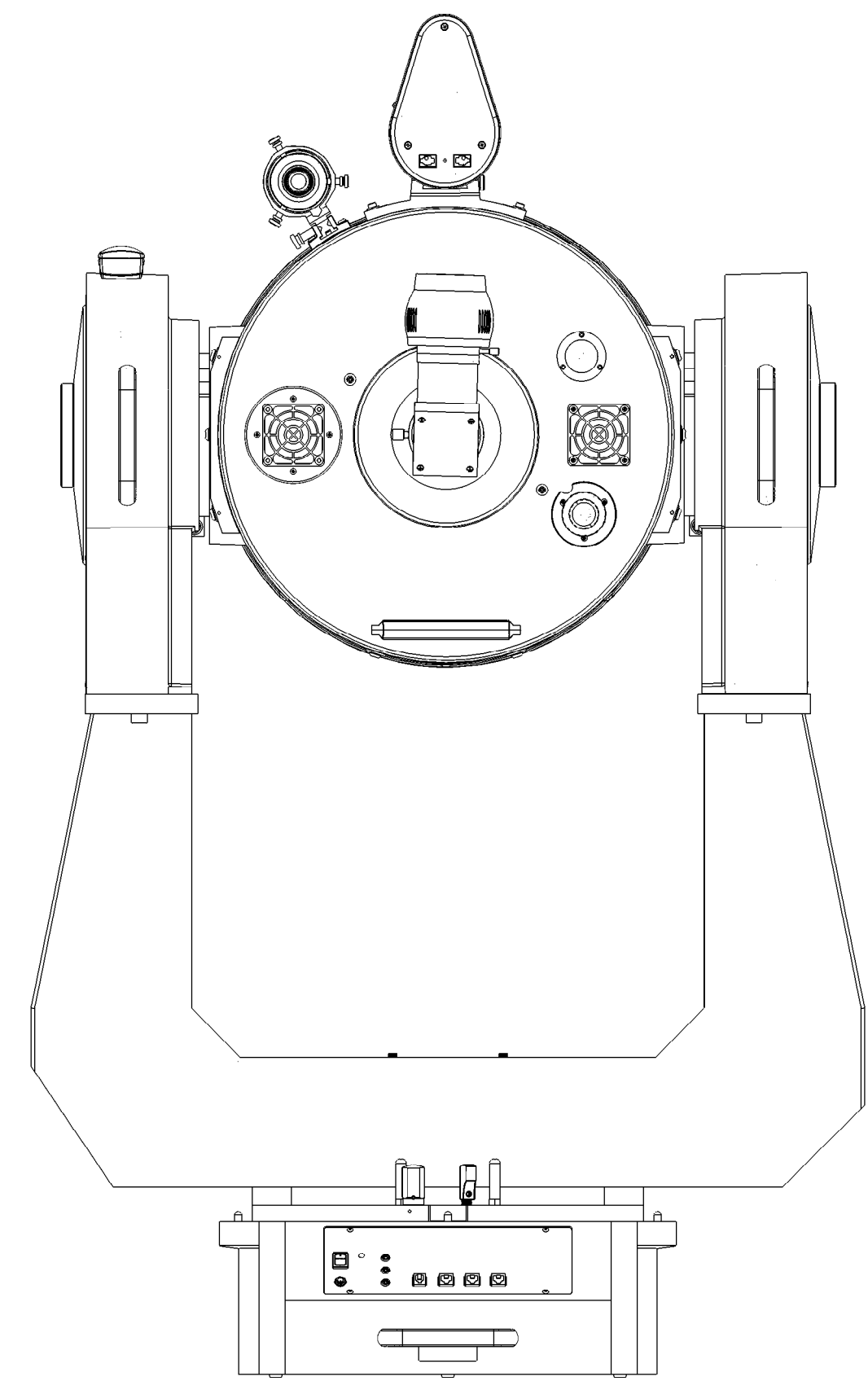
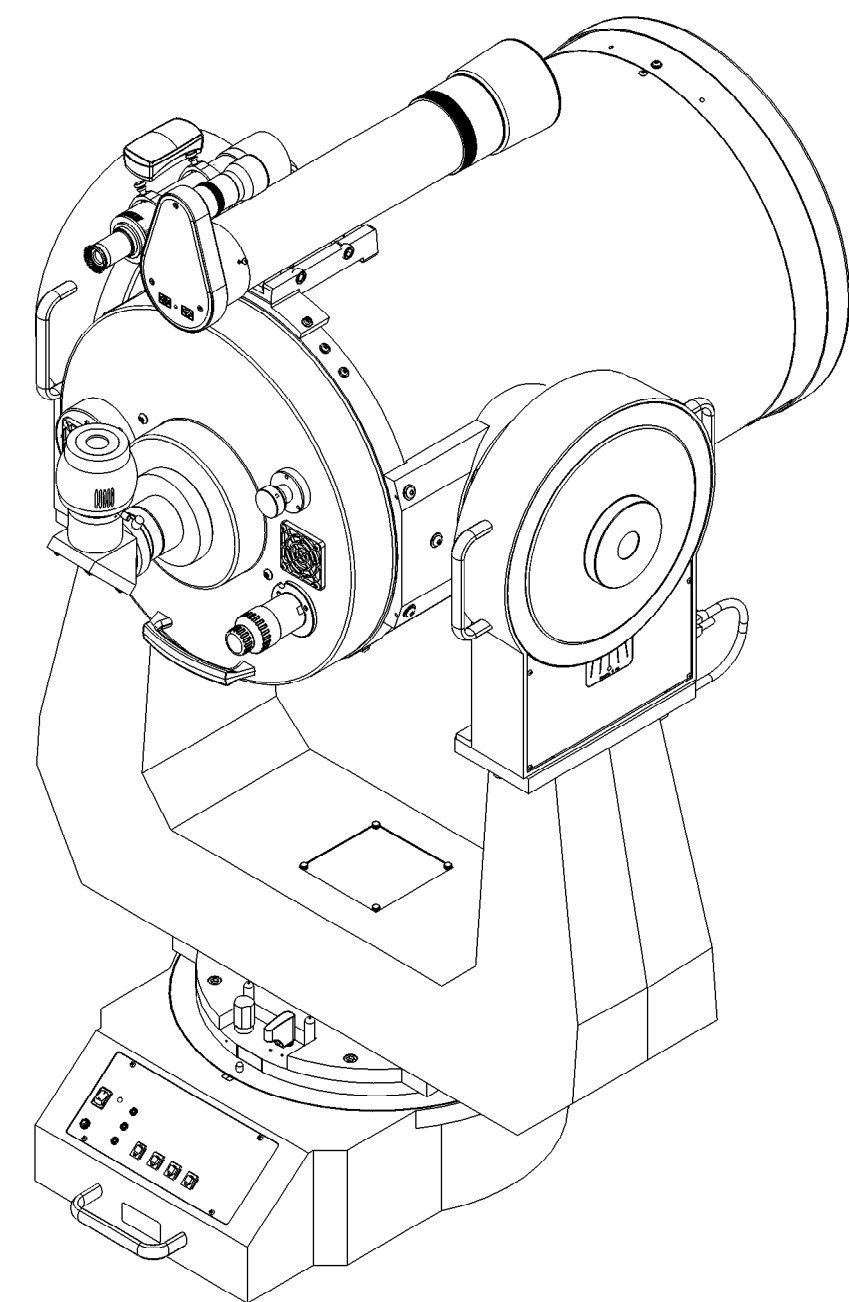


MEADE INSTRUMENTS 16 INCH LX600



3X 1/2-13 UNC-2B
EQUALLY SPACED
ON 13.50 DIAMETER.

PROPRIETARY AND CONFIDENTIAL
THE INFORMATION CONTAINED IN THIS DRAWING IS THE SOLE PROPERTY OF MEADE INSTRUMENTS CORP. ANY REPRODUCTION IN PART OR AS A WHOLE WITHOUT THE WRITTEN PERMISSION OF MEADE INSTRUMENTS CORPORATION IS PROHIBITED.

UNLESS OTHERWISE SPECIFIED: DIMENSIONS ARE IN INCHES		NAME	DATE	MEADE INSTRUMENTS CORP. 27 HUBBLE IRVINE, CA. 92618 TITLE: LX600-ACF 16 INCH SIZE DWG. NO. REV D A SCALE: 1:12 SHEET 1 OF 1
DECIMALS	.X ± .XX ± .XXX ±	DRAWN BY		
ANGULAR	±	DESIGNED BY		
DIMENSIONS IN:		ENG APPR.		
BRACKETS () ARE IN MM.		MEG APPR.		
PARENTHESES () ARE REFERENCE.		Q.A.		
INTERPRET GEOMETRIC TOLERANCING PER: ASME Y14.5M 1994		THIRD ANGLE PROJECTION:		
MATERIAL	SEE NOTE 1			
FINISH	SEE NOTE 2			
DO NOT SCALE DRAWING				

LX600-GPS_16-INCH.ASW