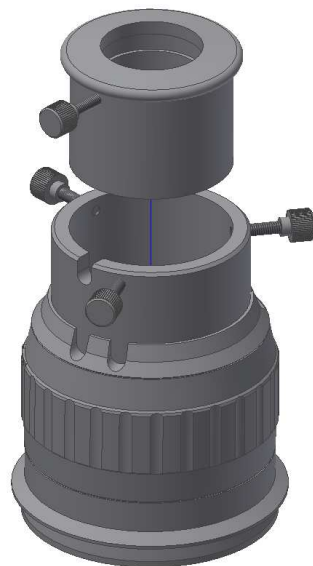
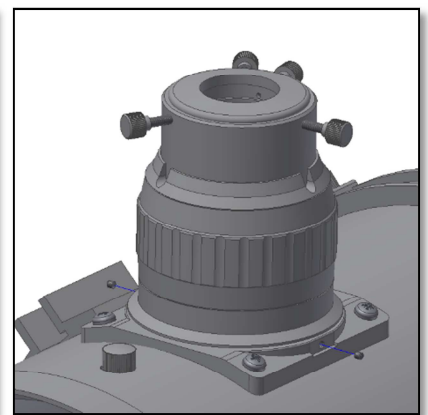
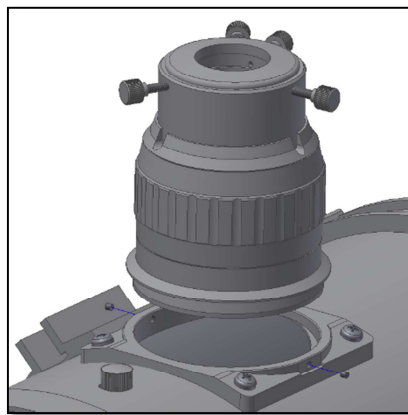
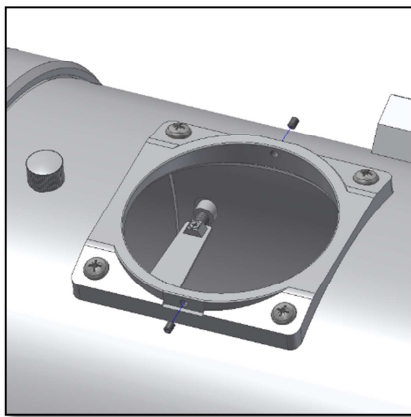


Instruction Manual

Omegon® Steeltrail 2" Helical non-rotating Helical Focuser

Congratulations on the purchase of the new Omegon Steeltrail 2" Non-rotating helical focuser. This focuser is a high quality focuser that allows precision focusing even with heavy eyepieces or cameras. It works as camera lens. Rotate it to move the focuser tube up and down. It is compatible with focuser base plates with 80mm inner diameter like the Omegon #33360 focuser plate.



1. Included Accessories

Included is a low profile 2" to 1.25" adapter.

2. Getting Started

2.1. Start by releasing the two hex screws on your focuser base plate. Use a hex Allen wrench to do this (not supplied).

2.2. Make sure to retighten the base plate hex screws. The focuser should be securely tighten after this.

3. Important Features of the focuser

1. Focuser has a travel of 30mm and etched scale on the tube it is recommended for heavy duty work but where limited focus range is accepted.

2. It is compatible with 1.25" (31.75mm) eyepieces and 2" (50.8mm) eyepieces.

Questions?

<http://www.astroshop.eu>
nimax GmbH Otto-Lilienthal-Str. 9
D-86899 Landsberg am Lech
English version 10.2014 REV AI